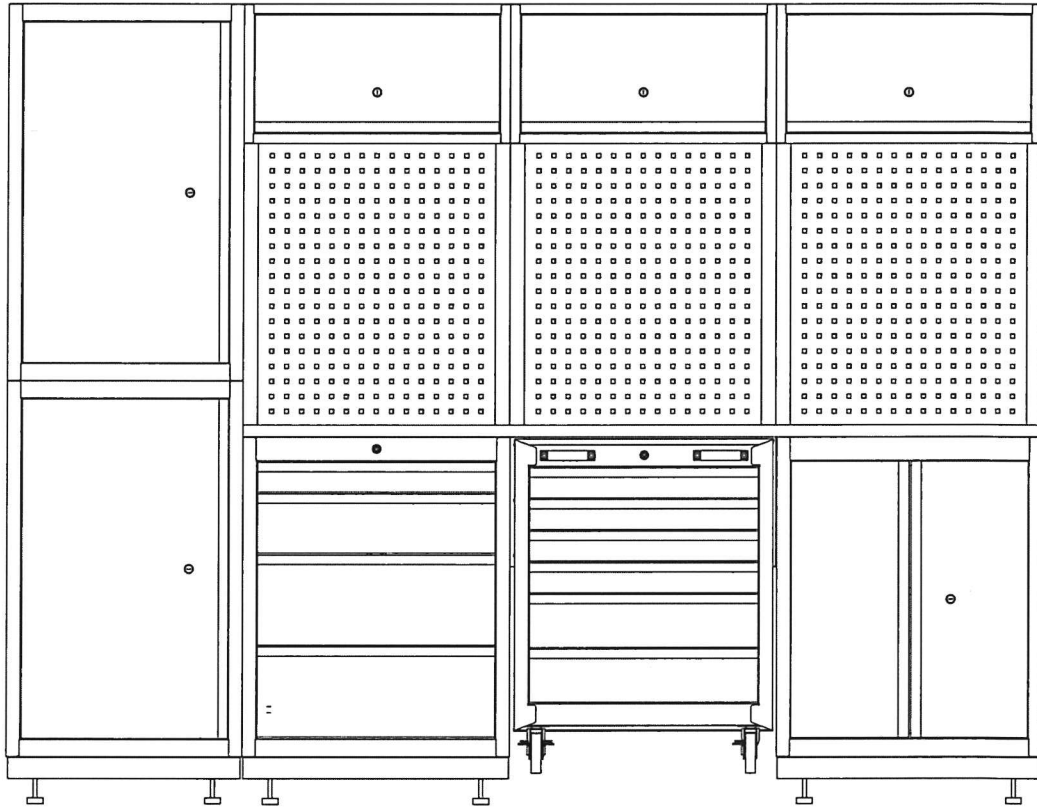




# Owner's Manual



**Garage  
Classic Series**

**Item Code  
41.TBWS.20**

# Safety Guidelines

**WARNING** Use two or more people to move, assemble, and install the product to avoid any injury.

**WARNING** DO NOT leave children unattended near the product.

**WARNING** DO NOT stand on the product or lean on the drawers or worktop.

**WARNING** WEAR SAFETY GLASSES when removing or repositioning the slides. The tools could slip, which may cause personal injury.

**WARNING** DO NOT alter the product in any manner. For example, do not weld external lock bars or attach unapproved electrical equipment. This may cause product damage, personal injury, or death.

**WARNING** DO NOT OVERLOAD PRODUCTS! The components of the product are designed to carry the following maximum weight capacities:

Cabinet	Shelf Weight Capacity (lbs.)	Drawer Weight Capacity (lbs.)	Bottom Weight Capacity (lbs.)	Top Weight Capacity (lbs.)	Overall Weight Capacity (lbs.)
Locker	150	/	220	150	820
Wall Cabinet	/	/	100	/	100
2-Door Base Cabinet	150	/	150	220	520
4-Drawer-Cabinet	/	100x4	/	220	620
1-Drawer-Cabinet	150	100x1	150	220	620

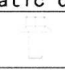




**CAUTION** BE CAREFUL when opening more than one drawer. The product could become unstable and tip, which may cause product damage or personal injury.

**CAUTION** High risk of tipping if the product is not installed correctly. Securely attach the product to the wall to avoid serious injury.

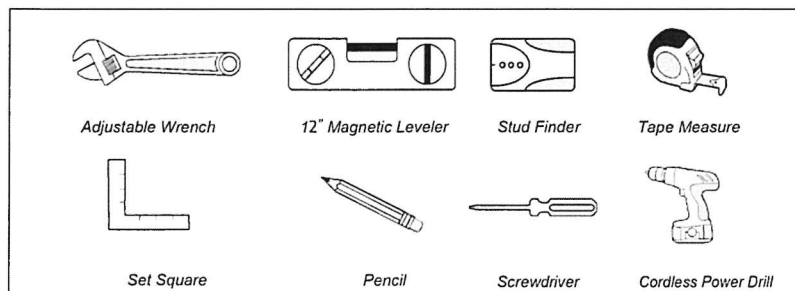
## Unpacking

1. Start by placing the package on flat covered ground.
2. Remove all cardboard, honey comb board, foam packaging material and clear plastic bags.
3. Recycle all packaging materials.
4. Verify all the contents are included and gather the tools required.

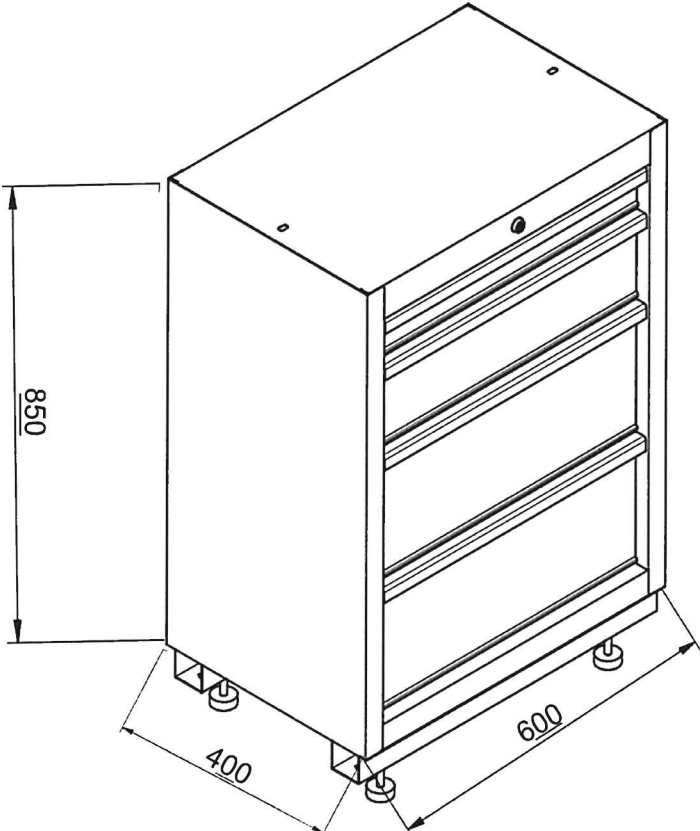
## Hardware Included

No.	Schematic diagram	Model	QTY.
1		Screw M8x20	67
2		Screw M8x16	4
3		Hexagon head bolt M8x25	4
4		Nut M8	23
5		Leveling Legs	12

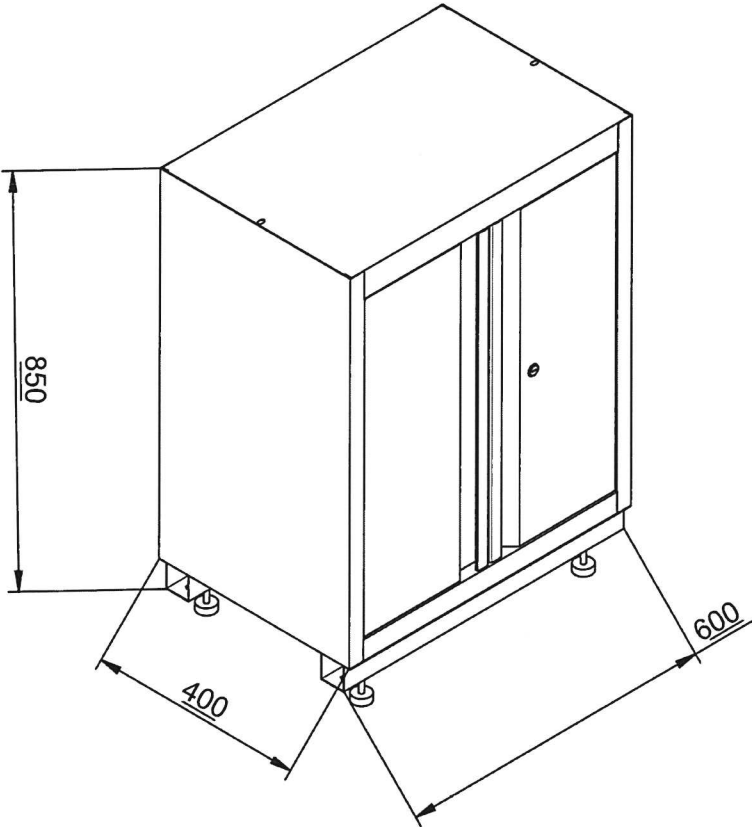
## Tools Required



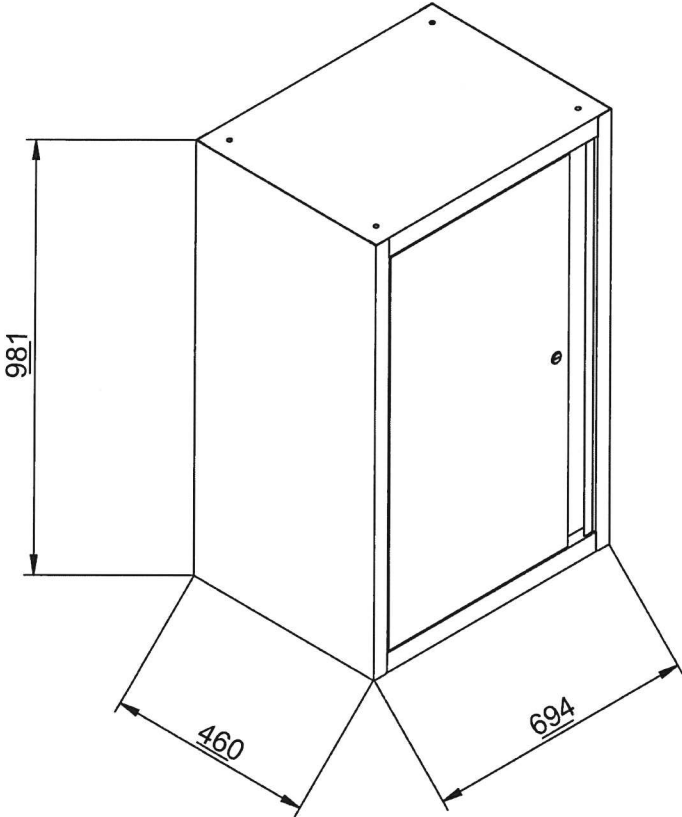
Item Code 41. TBWS. 20-F



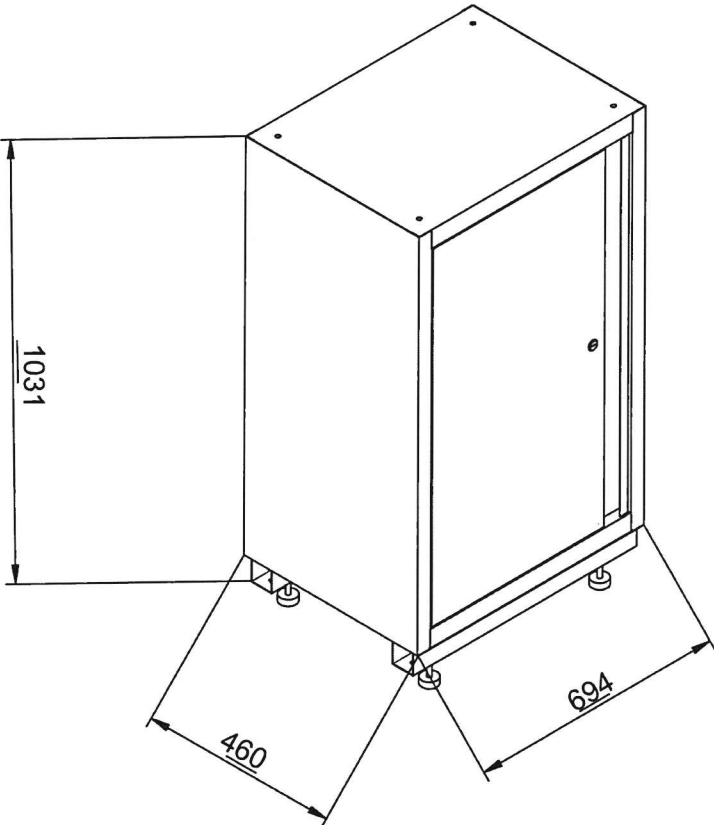
Item Code 41. TBWS. 20-D



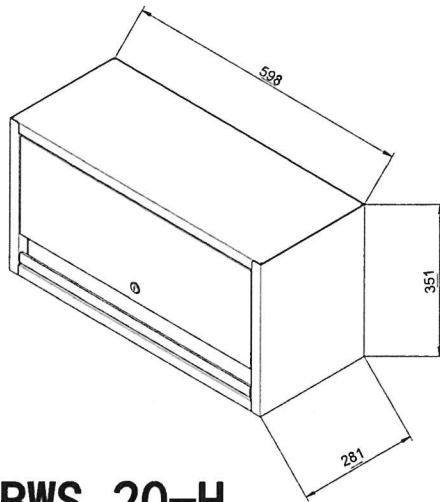
Item Code 41. TBWS. 20-BT (L)



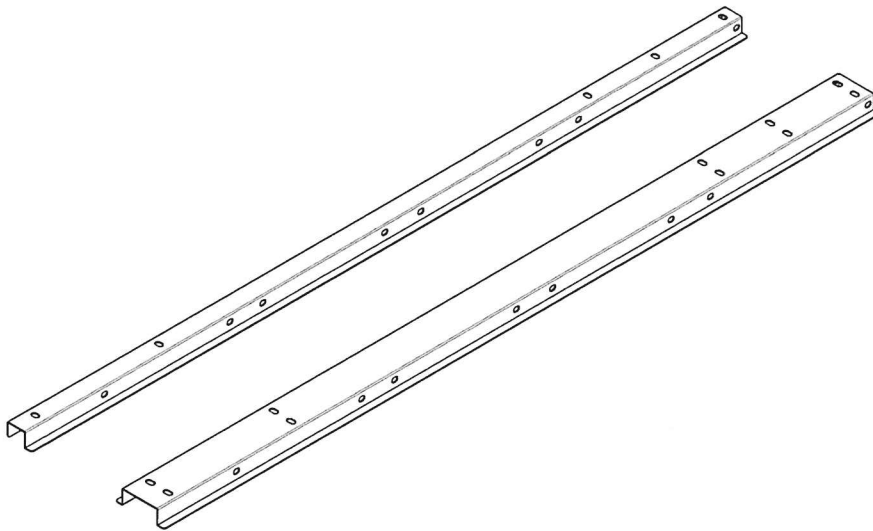
Item Code 41. TBWS. 20-BB (L)



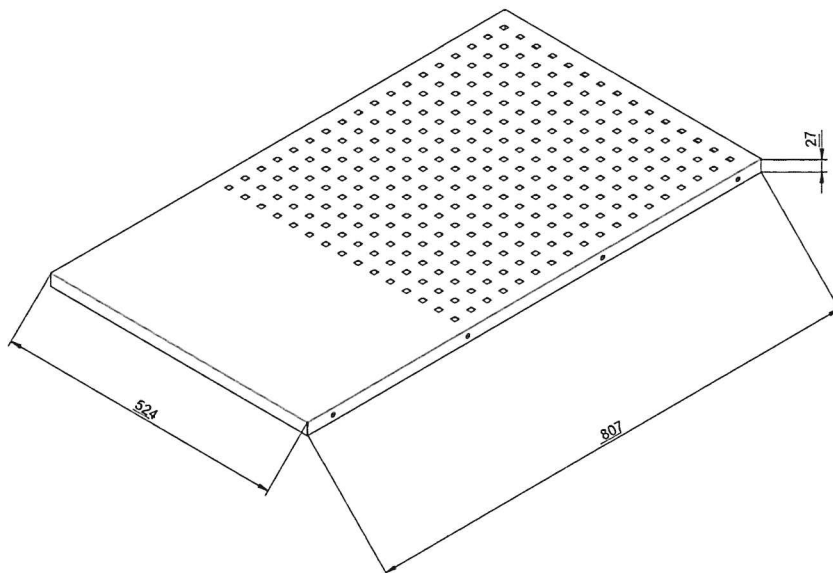
**Item Code 41. TBWS. 20-A (1) (2) (3)**



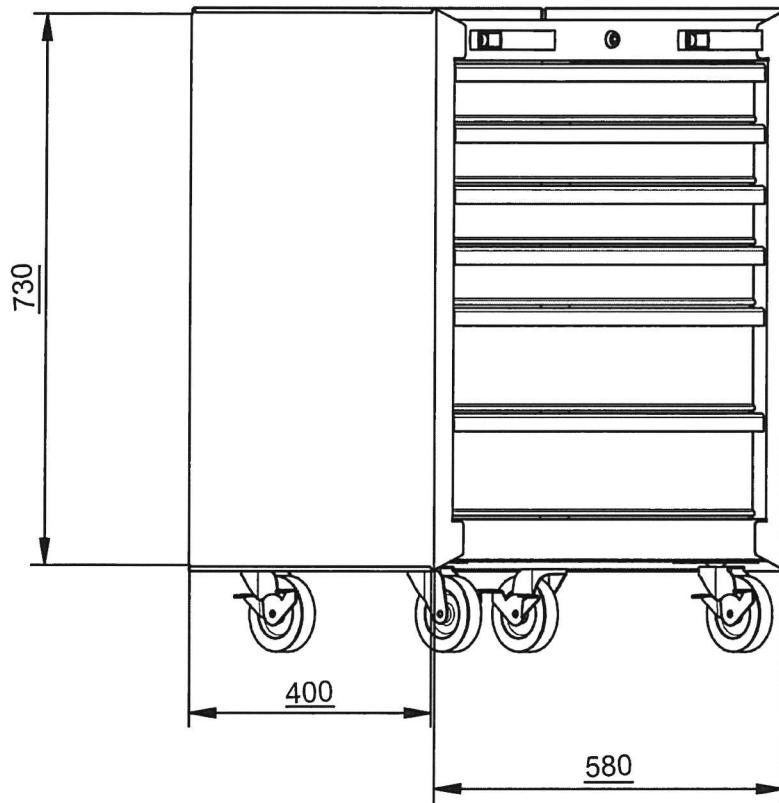
**Item Code 41. TBWS. 20-H**



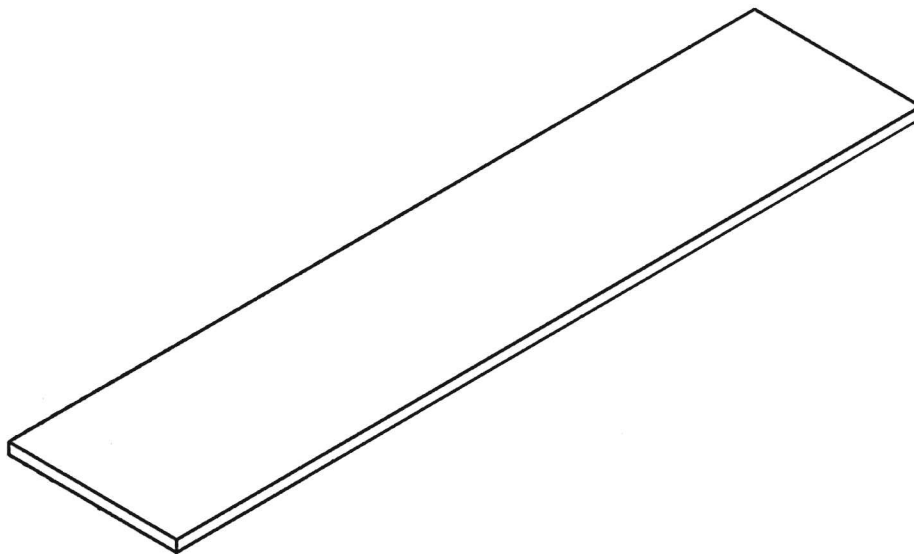
**Item Code 41. TBWS. 20-G**



**Item Code 41. TBWS. 20-E**



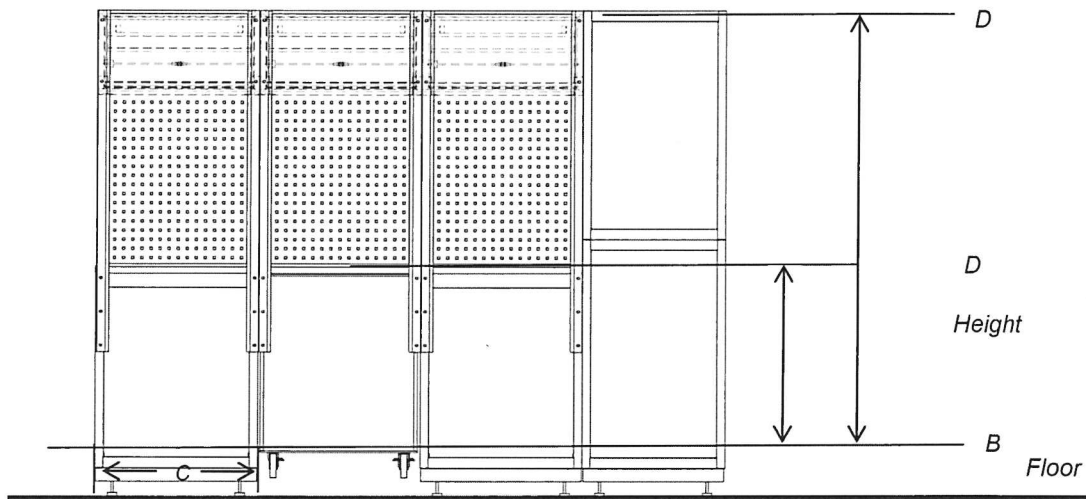
**Item Code 41. TBWS. 20-I**



# Setup

## 1. Planning the position of the cabinets

- A. Use a tape measure to measure and record the height and width of each cabinet.
- B. Determine how high off the ground you would like the cabinets to be (80mm-105mm) and make a horizontal mark at that position.
- C. Mark the width of each cabinet recorded in step A at the intended position, to ensure that the wall cabinets will align properly.
- D. Measure up from the line marked in step B and make a horizontal mark at each cabinet's height as recorded in step A, to determine where the top of the cabinets will be.
- E. Make sure that the cabinets will be at a suitable height and the wall cabinets are not out of reach.



**Note:** Make sure that there are two studs to mount the locker on as it is easiest to start the installation with the locker first. Due to the spacing of the wall studs, some wall cabinets maybe have only one stud to attach to; this is acceptable if the wall cabinets are bolted together.